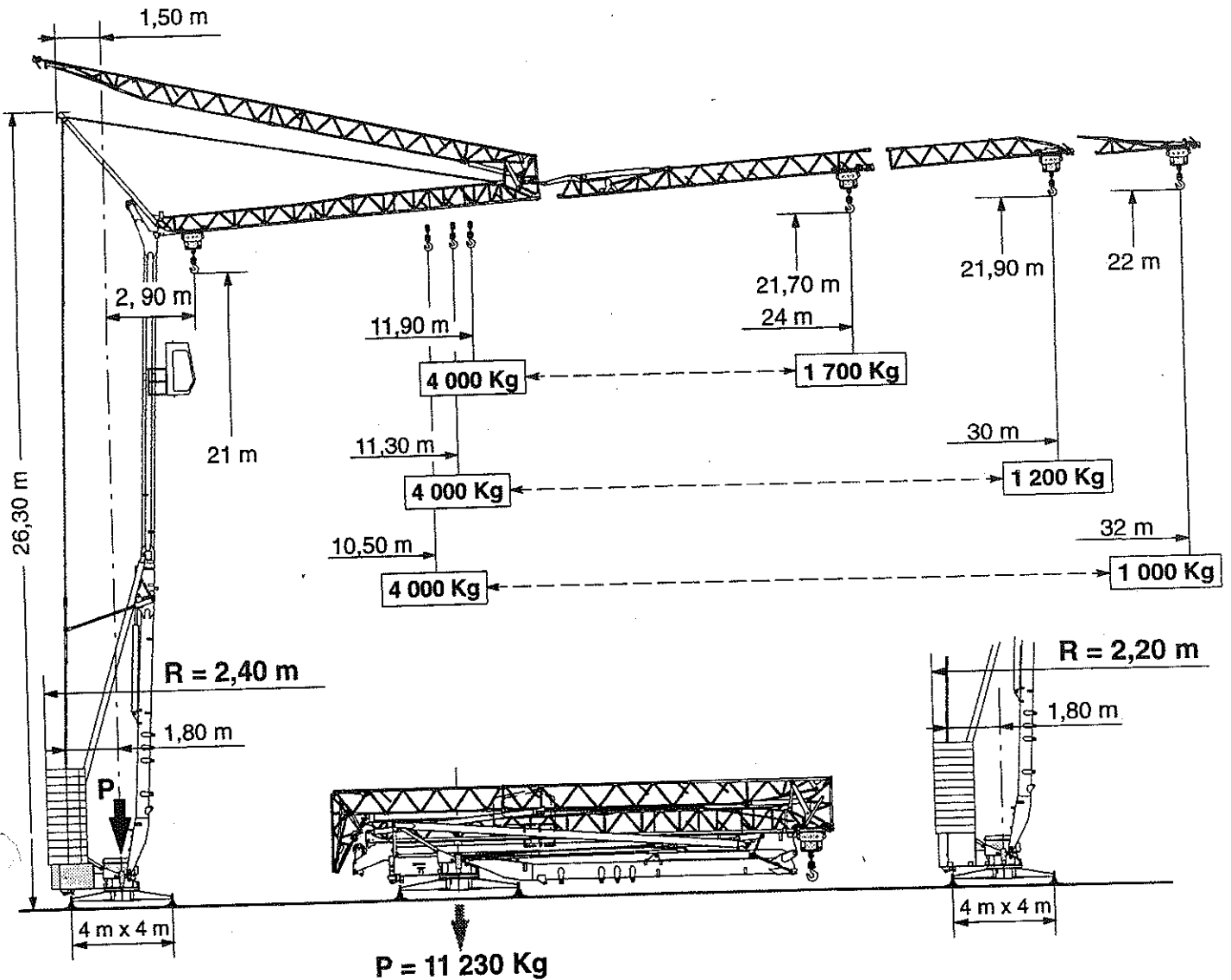










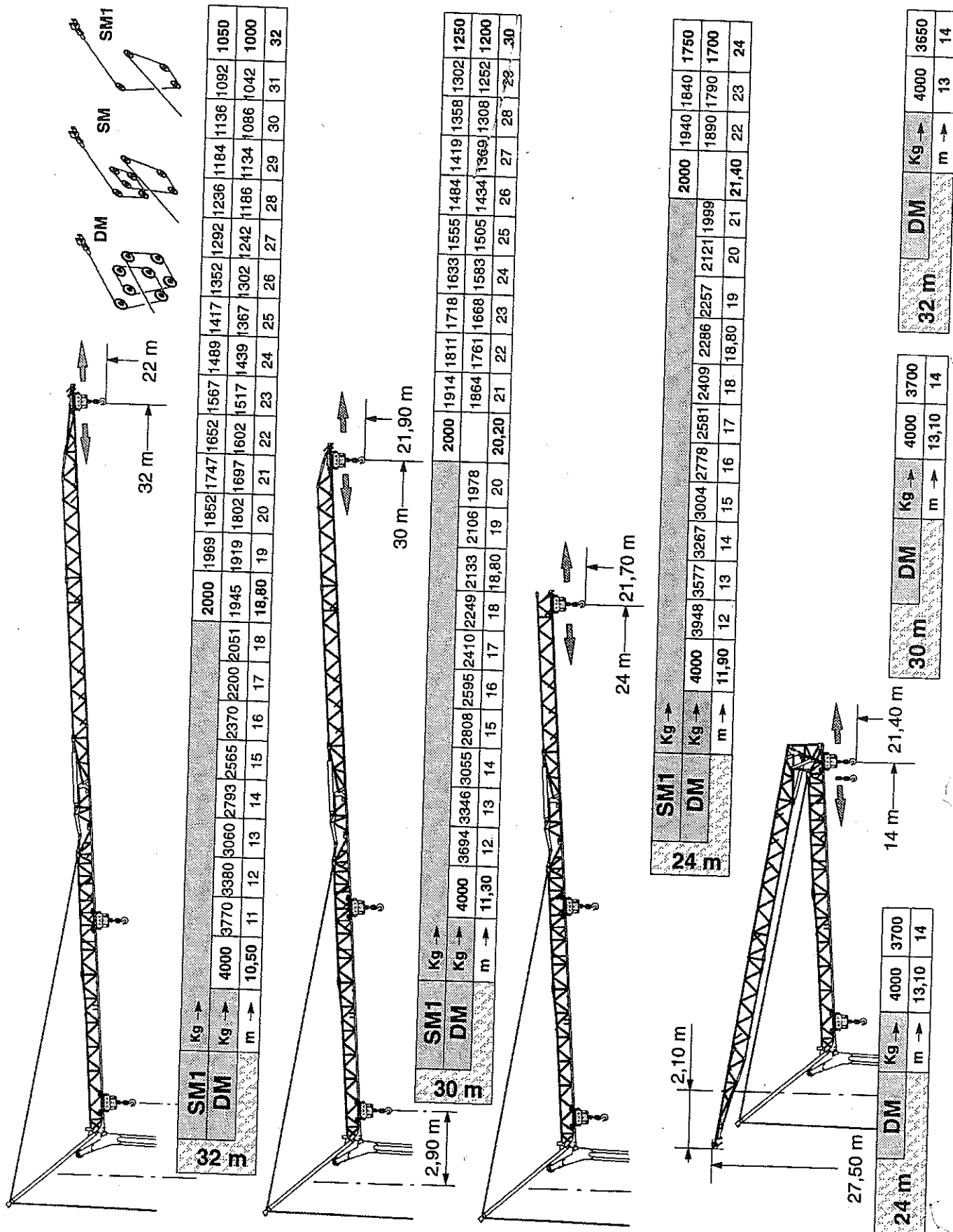
1. DATA

HD 36 FEM / 1 - A3



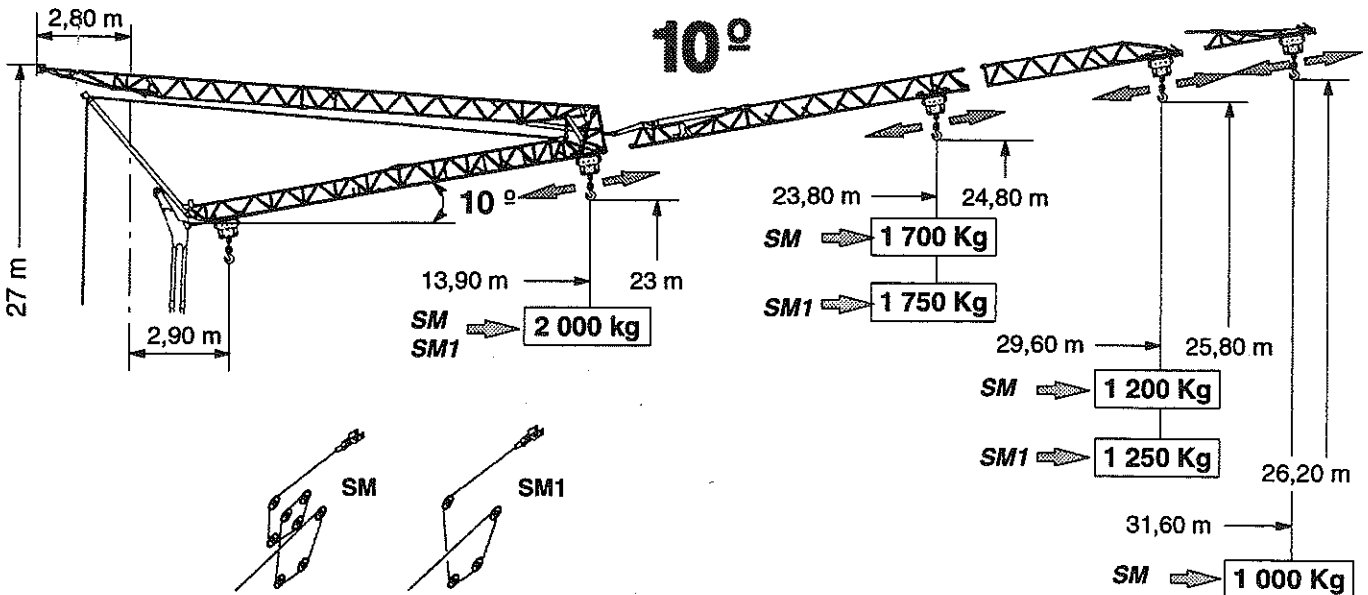
| | | SM1 | SM | DM | |
|--|------------|--|----------------------|------------------------|--------|
|  | 15 LVF 10 |  5 m / mn - 2 000 Kg | 5 m / mn - 2 000 Kg | 2,5 m / mn - 4 000 Kg | 11 kW |
| | |  27 m / mn - 2 000 Kg | 27 m / mn - 2 000 Kg | 13,5 m / mn - 4 000 Kg | |
| | |  43 m / mn - 1 250 Kg | 43 m / mn - 1 250 Kg | 21,5 m / mn - 2 500 Kg | |
| | |  53 m / mn - 1 050 Kg | 53 m / mn - 1 000 Kg | 26,5 m / mn - 2 000 Kg | |
|  | 3 D2 V 5.2 | 21 - 42 m / mn | | | 2 kW |
|  | R V F 30 | 0 → 0,2 → 0,8 tr / mn | | | 1,1 kW |
|  400 V (+ 6% - 10%) - 50Hz = 20 KVA | | | | | |

2. CURVA DI CARICO



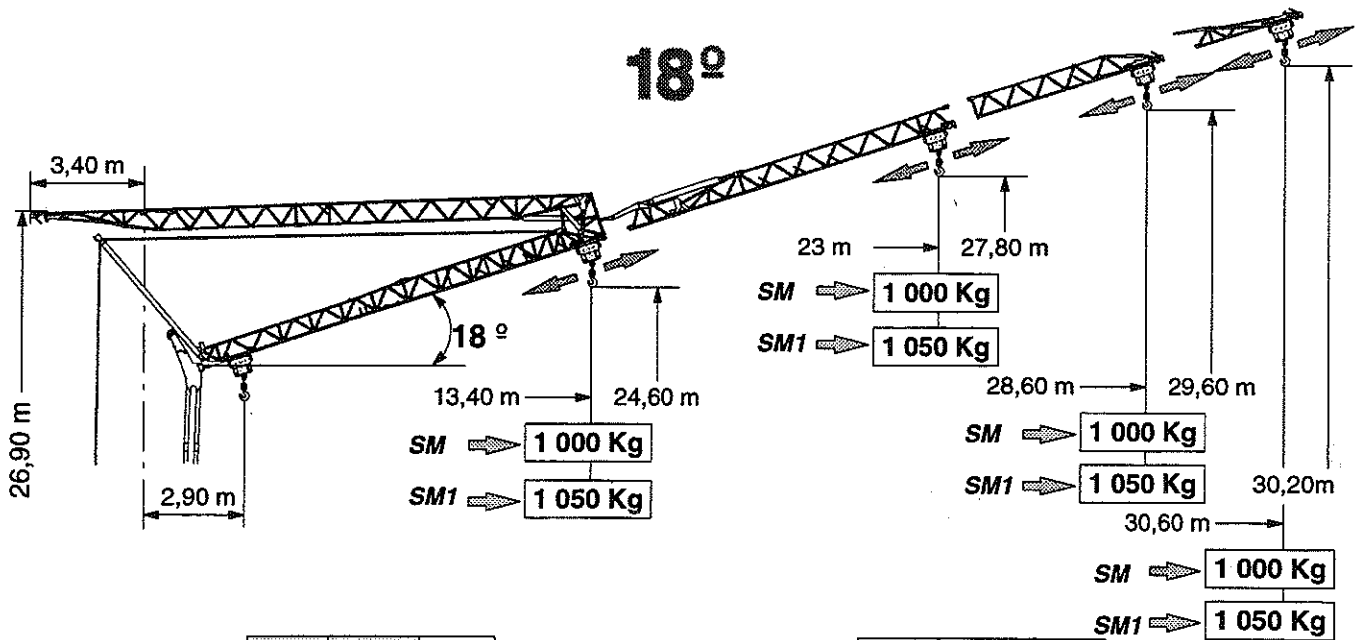
MONTAGGIO
SMONTAGGIO

CARATTERISTICHE



| | | | | | | | | | | | | | | | | | | | | | | | | | | |
|------|------|-------|------|-------|------|-------|------|------|------|-------|------|------|------|------|------|------|-------|------|------|-------|------|------|------|------|------|--|
| 24 m | Kg → | | | | | | | | | | | 2000 | 1979 | 1870 | 1772 | 1700 | | | | | | | | | | |
| 30 m | Kg → | | | | | | | | | | | 2000 | 1947 | | 1834 | 1733 | 1641 | | 1557 | 1481 | 1411 | 1346 | 1286 | 1231 | 1200 | |
| 32 m | Kg → | 2000 | 1891 | | 1775 | | 1672 | 1578 | 1494 | | 1417 | 1346 | 1282 | 1222 | 1167 | 1116 | 1088 | 1069 | 1025 | 1000 | | | | | | |
| | m → | 18,10 | 19 | 19,60 | 20 | 20,80 | 21 | 22 | 23 | 23,80 | 24 | 25 | 26 | 27 | 28 | 29 | 29,60 | 30 | 31 | 31,60 | | | | | | |
| SM | | | | | | | | | | | | | | | | | | | | | | | | | | |

| | | | | | | | | | | | | | | | | | | | | | | | | | |
|------|------|-------|------|-------|------|------|-------|------|------|-------|------|------|------|------|------|------|-------|------|------|-------|------|------|------|------|------|
| 24 m | Kg → | | | | | | | | | | | 2000 | 1920 | 1822 | 1750 | | | | | | | | | | |
| 30 m | Kg → | | | | | | | | | | | 2000 | 1997 | 1884 | | 1783 | 1691 | | 1607 | 1531 | 1461 | 1396 | 1336 | 1281 | 1250 |
| 32 m | Kg → | 2000 | 1941 | | 1825 | 1722 | | 1628 | 1544 | | 1467 | 1396 | 1332 | 1272 | 1217 | 1166 | 1138 | 1119 | 1075 | 1050 | | | | | |
| | m → | 18,50 | 19 | 19,90 | 20 | 21 | 21,30 | 22 | 23 | 23,80 | 24 | 25 | 26 | 27 | 28 | 29 | 29,60 | 30 | 31 | 31,60 | | | | | |
| SM1 | | | | | | | | | | | | | | | | | | | | | | | | | |



| | | | | | | |
|------|------|-------|-------|-------|------|--|
| 24 m | Kg → | | | 1000 | | |
| 30 m | Kg → | | | | 1000 | |
| 32 m | Kg → | | | | 1000 | |
| | m → | 23,10 | 28,60 | 30,60 | | |
| SM | | | | | | |

| | | | | | | |
|------|------|-------|-------|-------|------|--|
| 24 m | Kg → | | | 1050 | | |
| 30 m | Kg → | | | | 1050 | |
| 32 m | Kg → | | | | 1050 | |
| | m → | 23,10 | 28,60 | 30,60 | | |
| SM1 | | | | | | |